



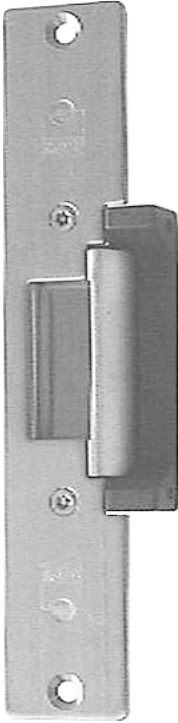
## ROFU® ELECTRIC STRIKE MODEL 2404

2404 - SERIES, FACEPLATE SIZE 1<sup>7</sup>/<sub>16</sub>" x 7<sup>15</sup>/<sub>16</sub>"

**MODEL 2404** — Fail - Safe/ Fail - Secure

Electric strikes for use with mortise and cylindrical locksets.

For Commercial and Residential, New or Retrofit Uses



**2404**  
**Non-Handed**

### Standard Features

- Stainless Steel Faceplate
- Frame Type - Hollow Metal, Aluminum or Wood
- Corrosion - Resistant case and moving parts.
- Tamper Strength Test - 1500 lbs (700 kg)
- Cycle Test 1,000,000 cycles
- Keeper Depth - **1/2"** Maximum Latch Projection possible with 1/8" Door/Frame Clearance - **5/8"**
- Strike Depth 1.25" Overall
- Reversible - Non Handed
- Stainless Steel Keeper
- Limited Warranty - **36 Months**
- **Easily converts from fail safe to fail secure and back.**

### Available in the following Voltages and Finishes:

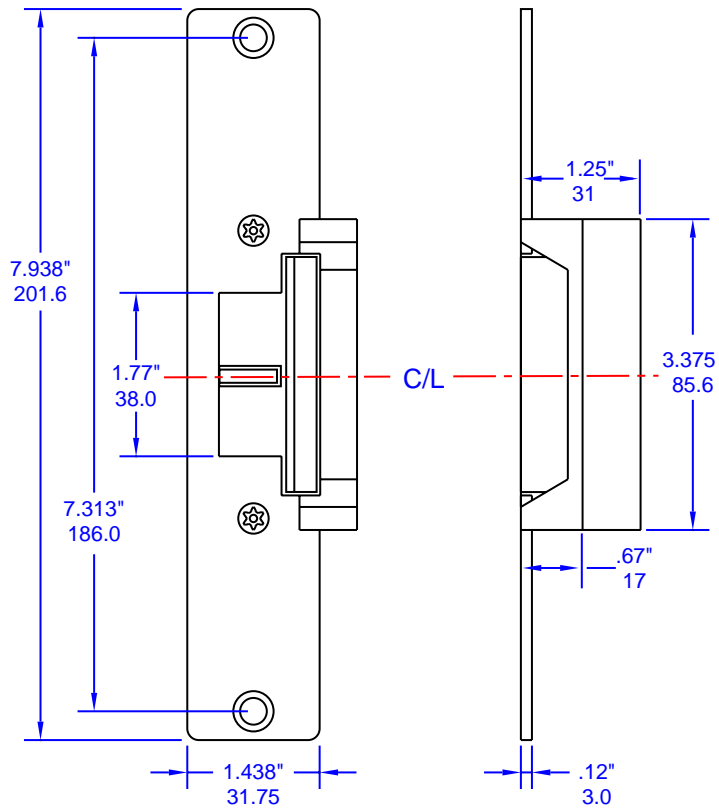
Specify Finish           xUS32D  
Voltage, Fail Secure   x05=12VAC/12VDC  
                                  x08=24VAC/24VDC

### Optional Features:

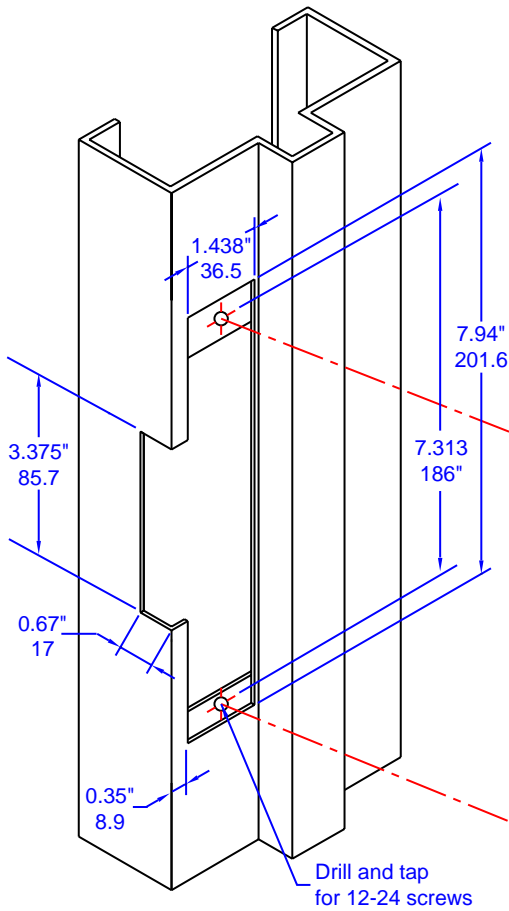
- Monitor Switch — The strike contains a micro switch — to monitor that the latch is in the keeper opening. Specify LM
- 1" Lip Extension, specify #5525 or 2" Lip Extension, specify #5550.



**LINE ART FOR 2404**

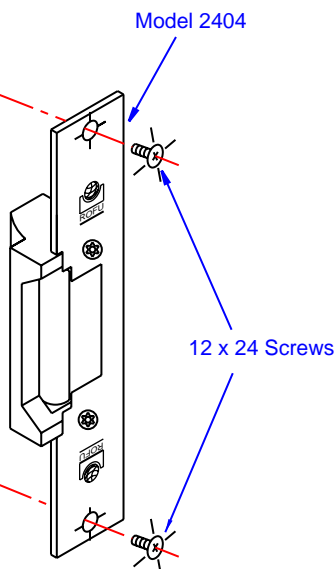


**HOLLOW METAL  
JAMB PREPARATION**

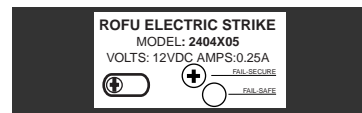
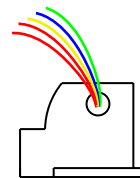


**SHOWN WITH OPTIONAL  
MONITORING SWITCH**

**INSTALLATION**



Monitor Switches (Optional)	
Color	xLM
Blue	Closed when tripper depressed
Yellow	Open when tripper depressed
Green	Common



**SHOWN IN FAIL  
SECURE MODE**