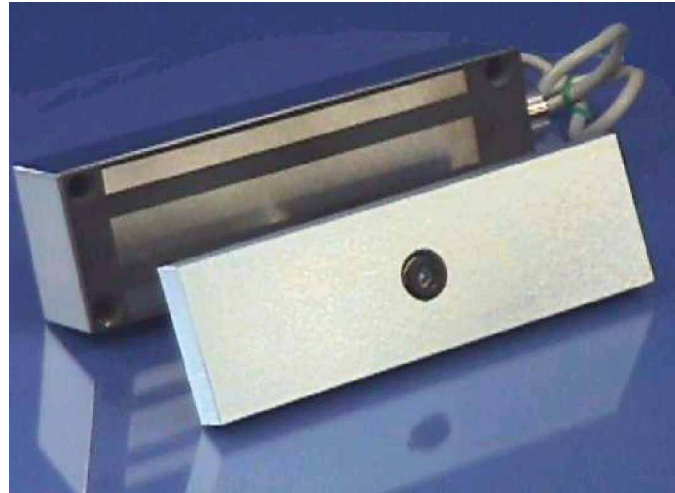




ROFU[®] MAGNETIC DOOR LOCKING DEVICE MODEL 8040 GATE LOCK



The ROFU model 8040 Gate lock is suitable for mounting on security gates or doors. Higher resistance to harsh weather conditions makes these locks suitable for external mounting.

STANDARD FEATURES

- Holding Force: 1300 lbs. (589 kg.)
- Installation: Installation varies from application to application.
- Fail Safe: Releases instantly when power is disconnected. No residual magnetism.
- Fail Alarm: May be released upon activation of fire alarm.
- Housing: Attractive, Brushed Stainless Steel
- Voltage: Either 12VDC or 24VDC (Specify)
- Current Draw: 450 mA at 12 VDC
230 mA at 24 VDC
- Mounting hardware included with unit.
- Limited Lifetime Warranty

SPECIFICATIONS

- Magnet Size: 8" x 2¹/₂" x 1¹/₂" (LxHxW)
(240 x 63 x 38 mm)
- Armature Size: 7¹/₄" x 2³/₈" x 5⁵/₈" (LxHxW)
(185 x 61 x 16 mm)
- Conduit: 3/4" outside, 1/2" inside threads
- Specify Voltage: 12 VDC or 24 VDC

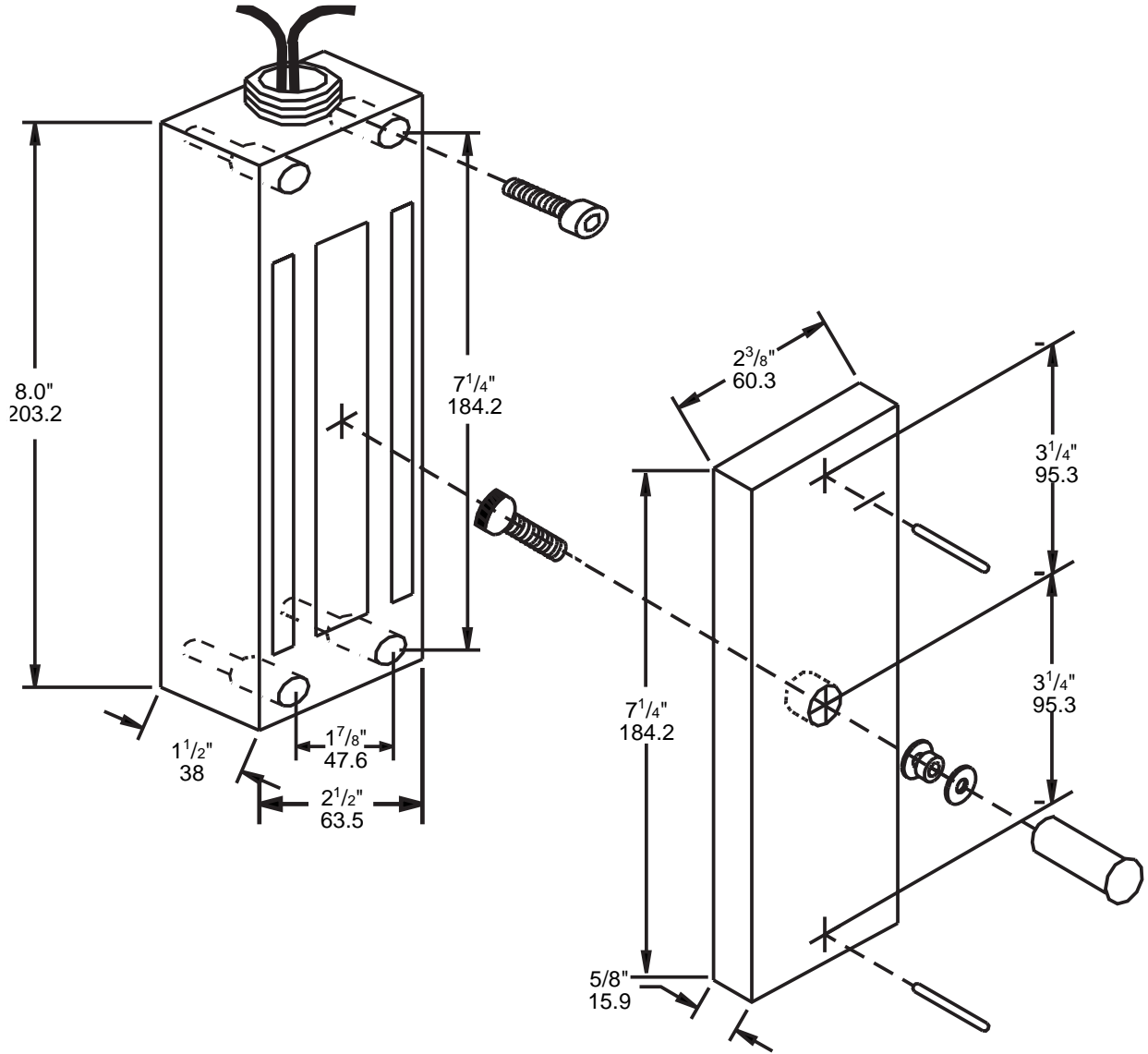
OPTIONAL FEATURES

- Monitoring: Hall Effect Crystal sensor with relay output to indicate the door is sealed, Specify 8040-002, Mounting Brackets available, See Page 92.

NOT TO SCALE - TECHNICAL DATA SUBJECT TO CHANGE WITHOUT NOTICE



TYPICAL INSTALLATION ROFU[®] MODEL 8040



NOT TO SCALE - TECHNICAL DATA SUBJECT TO CHANGE WITHOUT NOTICE