



ROFU[®] MAGNETIC DOOR LOCKING DEVICE MODEL 8031 SHEAR LOCK



The 8031 shear lock is a high security, fail-safe locking device for remote access and exit control for aluminium and steel doors. For use on single/double, internal or external doors and gates. (With positive centering door closer)

STANDARD FEATURES

- Holding Force: 2900 lbs. (1300 kg.)
- Easy Installation, If required Rim Housings are available, See Page 92.
- Position Sensor: Dry reed contact and adjustable magnet.
- Positioning: Transom or locking stile
- Door Gap: 1/8", 3 mm
- Monitoring: Hall Effect with two single pole relay outputs
- Relock delay: Adjustable up to 4 second delay.
- Fire Safe: Releases instantly when power is disconnected. No residual magnetism.
- Fail Alarm: May be released upon activation of fire alarm.
- Finish: Magnet and Armature plate, nickel plated
Housing, Black powder coated
- Voltage: 12VDC/24VDC Field selectable Voltage setting makes locks adaptable to existing power supplies.
- Current Draw: Pull in 1.5A at 12VDC 0.7A at 24VDC
Holding 0.4A at 12VDC 0.2 at 24VDC
- Mounting hardware included with unit.
- Limited Lifetime Warranty

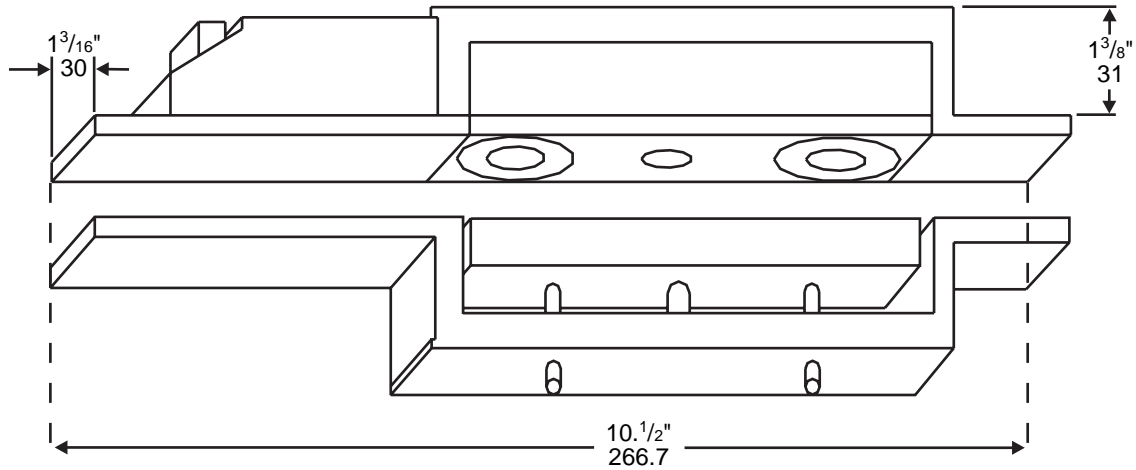
SPECIFICATIONS

- Magnet Housing: 10¹/₂" x 1³/₈" x 1³/₁₆" (LxHxW)
(267 x 35 x 30 mm)
- Armature Housing: (M): 10¹/₂" x 1⁵/₁₆" x 1³/₁₆" (LxHxW)
(267 x 35 x 30 mm)
- Armature Size: 5³/₈" x 7⁷/₁₆" x 1³/₈" (LxHxW)
(137 x 12 x 30 mm)

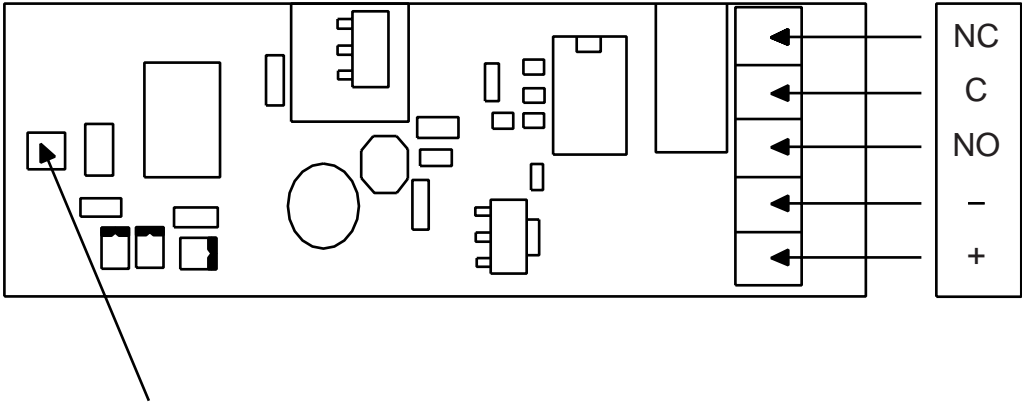
NOT TO SCALE - TECHNICAL DATA SUBJECT TO CHANGE WITHOUT NOTICE



TYPICAL INSTALLATION ROFU[®] MODEL 8031



CAUTION: MAKE SURE THAT THE "PLUS" AND "MINUS" WIRES ARE CONNECTED TO THEIR CORRESPONDING SLOTS ON THE TERMINAL STRIP. FAILURE TO OBSERVE POLARITY WILL RESULT IN A SHORT.



POTENTIOMETER FOR ADJUSTING TIME DELAY FROM 2 TO 4 SECONDS. THE REGULATION OF THE 12 VDC TO 24 VDC IS AUTOMATIC.