



ROFU[®] MAGNETIC DOOR LOCKING DEVICE MODEL 8003 MICRO MAGNETS



The ROFU model 8003 magnetic lock is a micro-mag based on the ROFU 8000 series. The magnetic lock is suitable for mounting on security gates, doors or cabinets. Higher resistance to harsh weather conditions makes these locks suitable for external mounting.

STANDARD FEATURES

- Holding Force: 275 lbs. (125 Kg.)
- Easy Installation: Three mounting options are available.
 - (S) — Standard top mounting, (shown above)
 - (F) — Front mounting
 - (M) — Mortise mounting
- No power cables are required to the door when mounted to the jamb.
- Weather resistant cable connection
- Fail Safe: Releases instantly when power is disconnected. No residual magnetism.
- Fail Alarm: May be released upon activation of fire alarm, this model is not recommended for life safety or high security applications.
- Housing: Attractive, heavy duty, nickel plated steel
- Voltage: 12 VDC
- Current Draw: 315 mA at 12 VDC
- Mounting hardware included with unit.
- Limited Lifetime Warranty

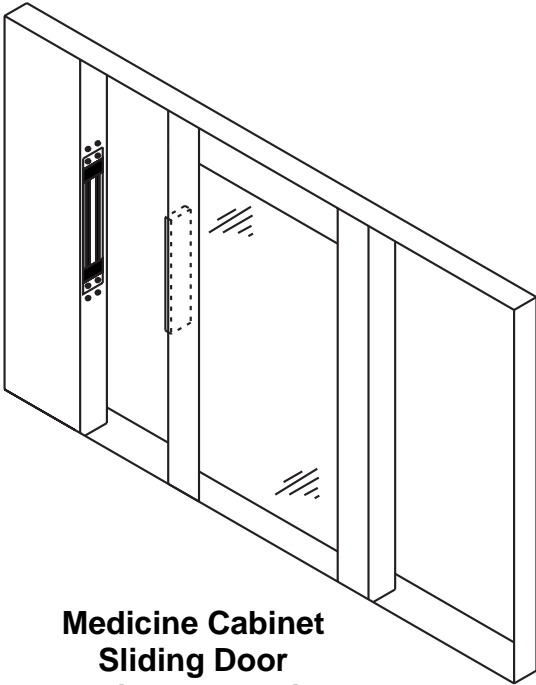
SPECIFICATIONS

- Magnet Size: (S&F): 6³/₈" x 1⁵/₁₆" x 1" (LxHxW)
(162 x 33 x 24 mm)
- Magnet Size: (M): 7¹/₁₆" x 1-¹/₄" x 1" (LxHxW)
(180 x 32 x 24 mm)
- Armature Size: 6" x 1¹/₄" x ³/₈" (LxHxW)
(150 x 31 x 10 mm)
- Finish: Brushed Stainless Steel, Nickel Plated

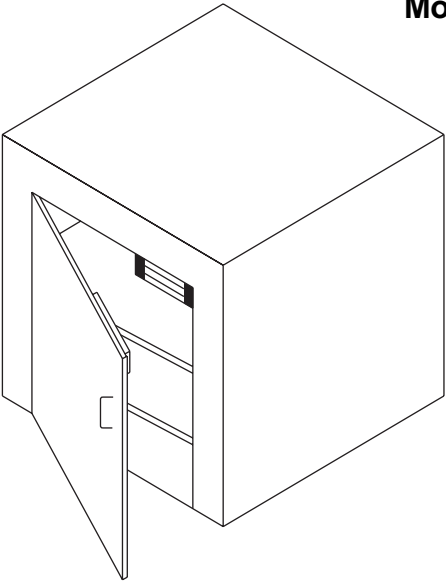
NOT TO SCALE - TECHNICAL DATA SUBJECT TO CHANGE WITHOUT NOTICE



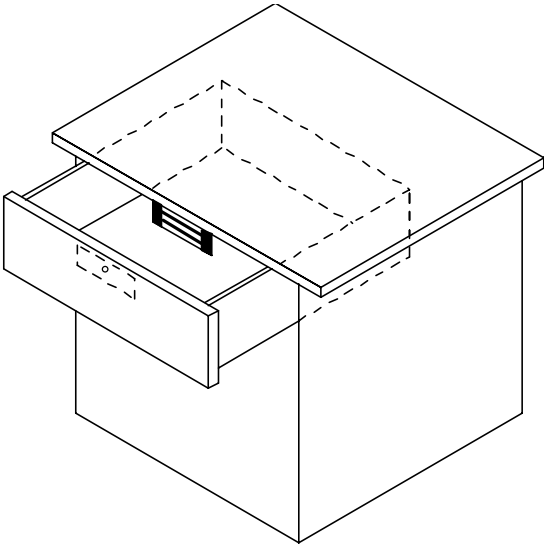
TYPICAL INSTALLATION ROFU® MODEL 8003



**Medicine Cabinet
Sliding Door
Mortise Installation**



**Cabinet or Gun Safe
Standard Top Installation**



**Cash Drawer
Standard Top or Front Mount installation**

NOT TO SCALE - TECHNICAL DATA SUBJECT TO CHANGE WITHOUT NOTICE