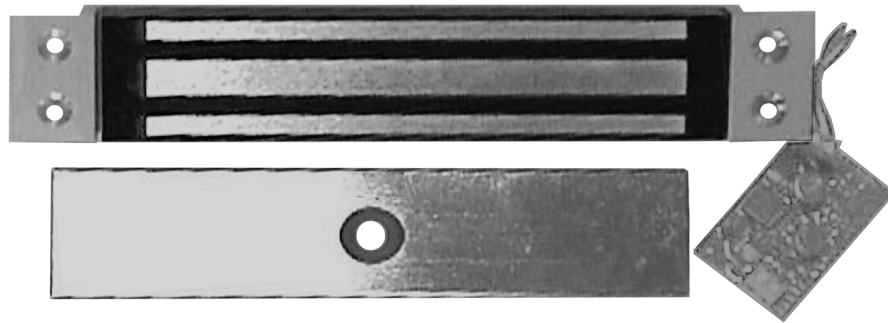




ROFU[®] MAGNETIC DOOR LOCKING DEVICE MODEL 8000 SLIDING DOOR LOCK



The ROFU model 8000 sliding door magnetic lock is suitable for lower security applications where movement of staff and public are to be controlled.

STANDARD FEATURES

- Holding Force: 650 lbs. (295 Kg.)
- Easy Installation: Versatile mounting brackets for new or existing installation.
- No power cables are required to the door when mounted to the jamb.
- Fail Safe: Releases instantly when power is disconnected. No residual magnetism.
- Fail Alarm: May be released upon activation of fire alarm.
- Voltage: 12VDC
- Current Draw: 450 mA at 12 VDC

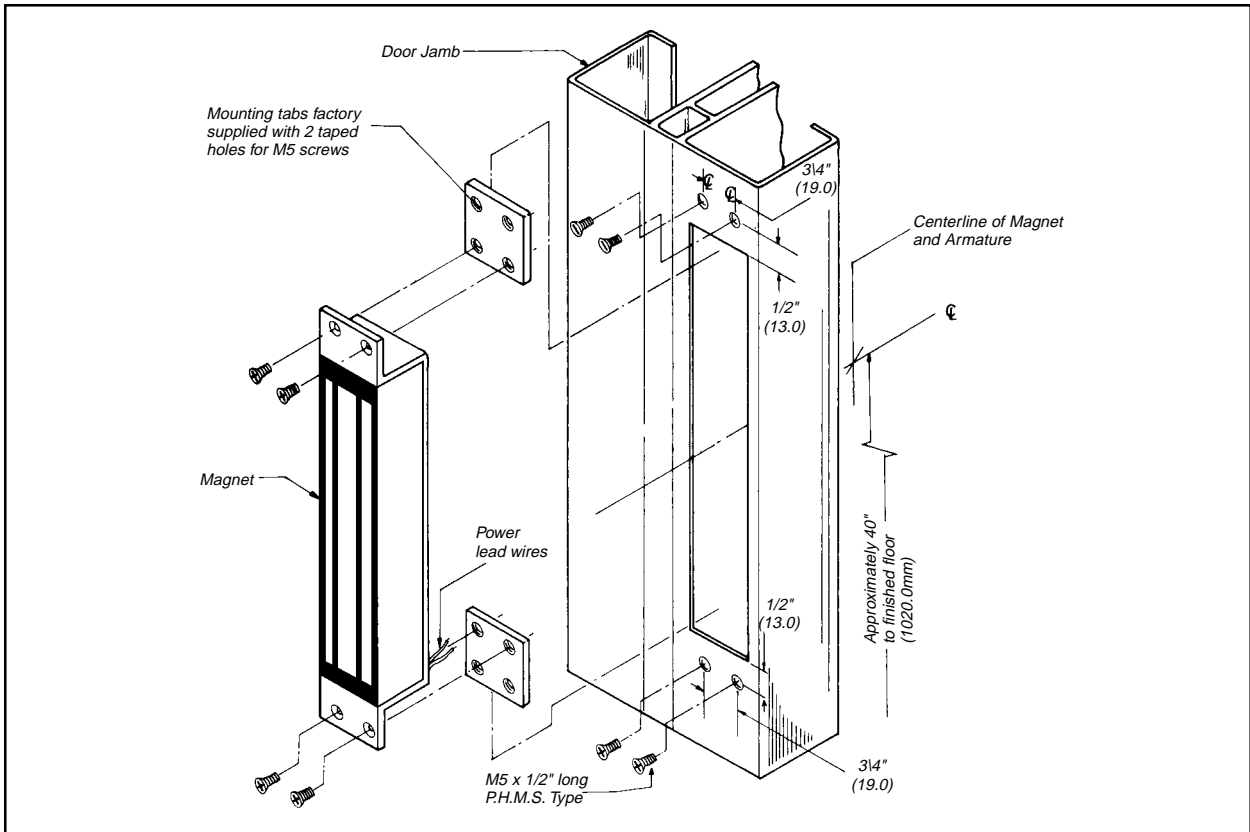
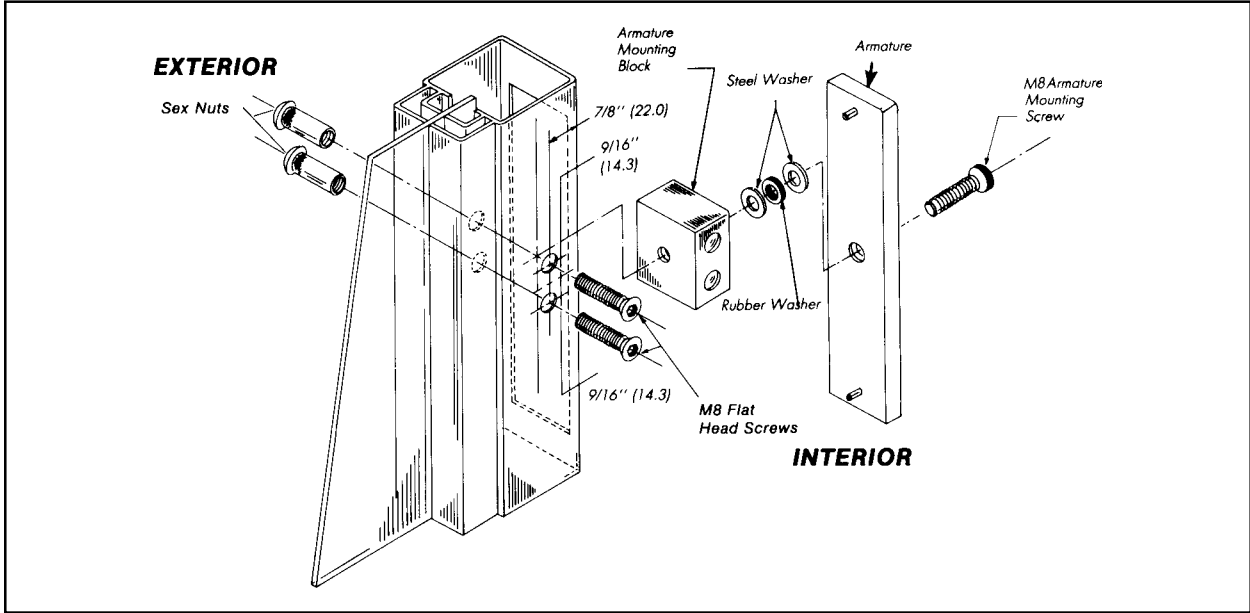
- Limited Lifetime Warranty
- Mounting hardware included with unit.

SPECIFICATIONS

- Magnet Size: 9" x 1¹/₂" x 1³/₁₆" (LxHxW)
(228 x 38 x 27 mm)
- Armature Size: 7¹/₄" x 1¹/₂" x 1¹/₂" (LxHxW)
(185 x 38 x 12 mm)



TYPICAL INSTALLATION ROFU® MODEL 8000



NOT TO SCALE - TECHNICAL DATA SUBJECT TO CHANGE WITHOUT NOTICE