

Installation Instructions for the ROFU 8900 Series Hold Open Electromagnetic Locks



ROFU 8900-12V
ROFU 8900-24V



ROFU 8910-12V
ROFU 8910-24V

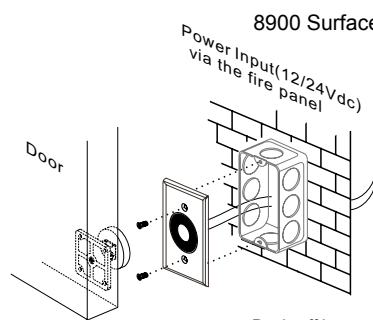


ROFU 8920-12V
ROFU 8920-24V

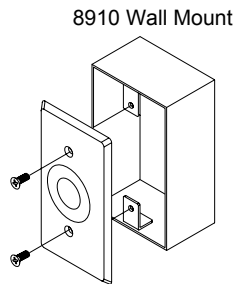


Units are Voltage Specific: 12 or 24 V
Current Draw: 125mA@12VDC
60mA@24VDC

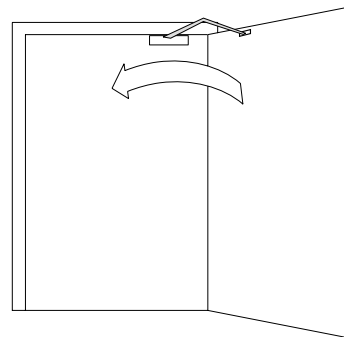
50 Lbs. Holding Force
8900 Flush Mount Plate: Stainless
8910 Wall Mount Housing: Stainless
8920 Floor Mount Housing: Black Powder coated



8900 Surface Mount

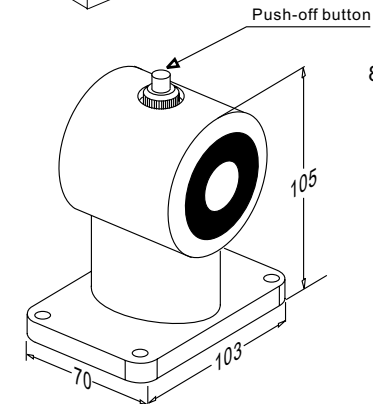


8910 Wall Mount

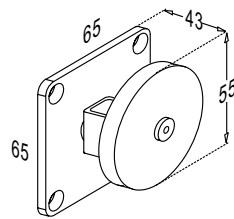


8920 Series
Floor Mount

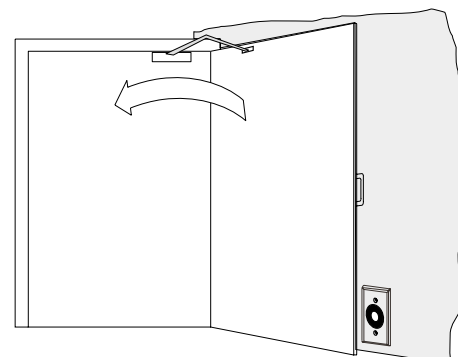
Power Input(12 or 24Vdc)
via the firepanel



8920 Floor Mount

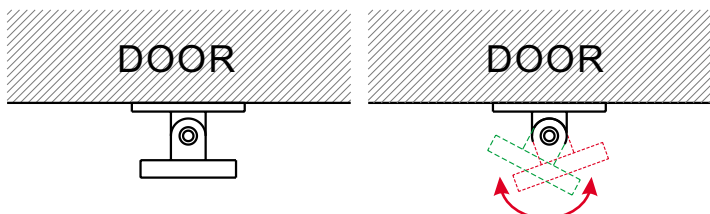


Unit: mm



8900 Series
Flush Mount

Power Input(12 or 24Vdc)
via the firepanel



During the installation, adjust the direction of the armature plate to match the door angle correctly.

ROFU International Corporation
10029 South Tacoma Way, Suite E-11
Lakewood, WA 98499
Ph. (800) 255-7638
Fax (888) 840-7272
www.rofu.com